

### ⚡ Specifications

#### Nominal Voltage(V)

12V

#### Nominal Capacity

10 hour rate	(6.2A	to	10.80V)	62Ah
5 hour rate	(10.54A	to	10.20V)	52.7Ah
1 hour rate	(37.2A	to	9.60V)	37.2Ah
1 C	(62A	to	9.60V)	35.13Ah

#### Weight

Approx. 18.7kg(41.14Lbs.)

#### Internal Resistance (at 1KHz)

Approx. 6.8 mΩ

#### Maximum Discharge Current for

5 seconds: 744A

#### Charging Methods at 25°C(77°F)

Cycle use:

Charging Voltage 14.4 to 15.0V

Coefficient -5.0mV/°C/cell

Maximum Charging Current : 18.6A

Standby use:

Float Charging Voltage 13.5 to 13.8V

Coefficient -3.0mV/°C/cell

#### Operating Temperature Range

Charge -15°C(5°F) to 40°C(104°F)

Discharge -15°C(5°F) to 50°C(122°F)

Storage -15°C(5°F) to 40°C(104°F)

#### Charge Retention (shelf life) at 20°C(68°F)

1 month	98%
3 month	94%
6 month	85%

#### Case Material

ABS UL94 HB

Option: Flammability resistance of (UL94 V-0)

#### Design Life

3-5 Years.

#### Terminal

F8

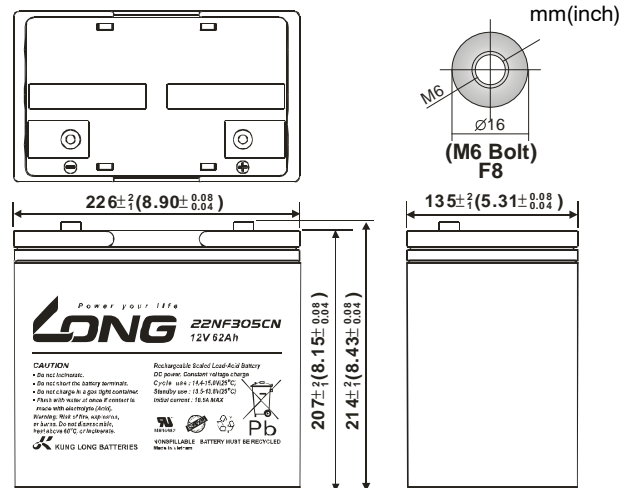


### ⚡ Dimensions

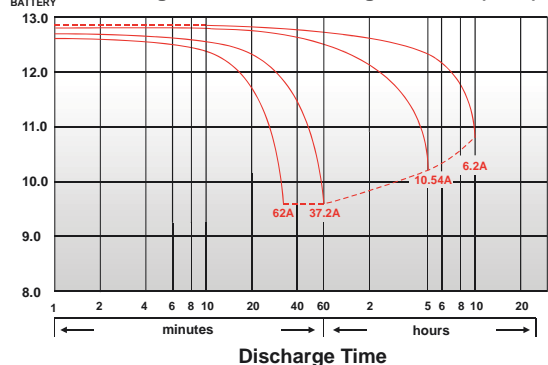
Length (L)	226+2-1 (8.90+0.080.04)
Width (W)	135+2-1 (5.31+0.080.04)
Height (H)	207+2-1 (8.15+0.080.04)
Overall Height (HT)	214+2-1 (8.43+0.080.04)

#### Description of torque value of hard ware for the terminals:

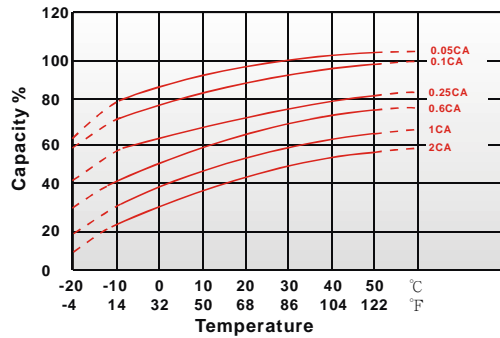
Recommended torque value	M6: 7 N-m (71kgf-cm)
Maximum allowable torque value	M6: 9 N-m (92kgf-cm)



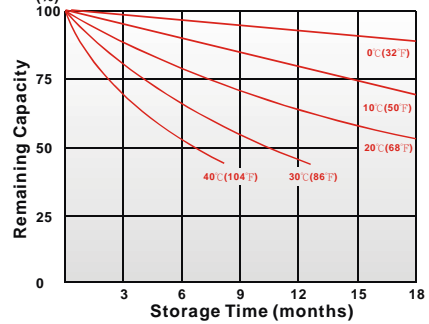
(v) Discharge Time VS. Discharge Current (25°C)



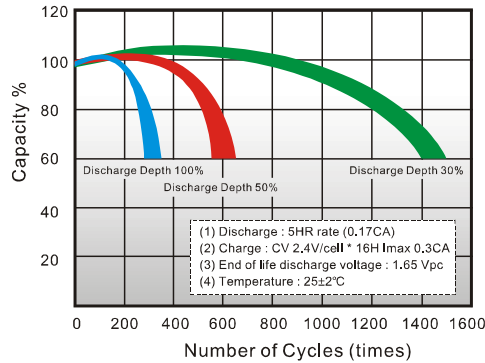
**Effect of Temperature on Capacity 25°C(77°F)**



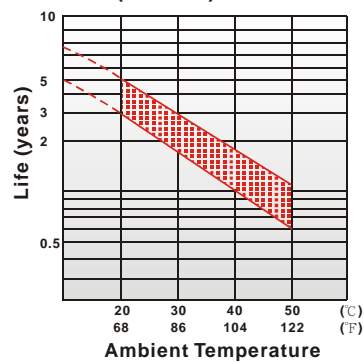
**Capacity Retention Characteristic**



**Cycle Service Life**



**Trickle (or float) Service Life**



**- PERFORMANCE DATA**

**Discharge Rates in Watts to Various End Voltages at 25°C(77°F)**

End Voltage		1.85V	1.80V	1.75V	1.70V	1.67V	1.65V	1.60V
Time	min	211	326	393	438	450	464	479
5	min	131	207	249	278	285	294	304
10	min	110	157	185	203	208	214	220
15	min	68.8	88.7	101	111	114	117	121
30	min	57.7	70.7	72.9	74.3	74.7	75.2	75.9
60	min	36.0	37.5	38.6	39.3	39.5	39.8	40.2
120	min	28.9	30.1	31.0	31.6	31.8	32.0	32.3
180	min	23.2	24.2	24.9	25.4	25.5	25.7	25.9
240	min	19.7	20.6	21.2	21.6	21.7	21.9	22.1
300	min	11.7	12.1	12.5	12.7	12.8	12.9	13.0
600	min	6.12	6.37	6.56	6.69	6.73	6.78	6.84
1200	min							

**- Discharge Rates in Amperes to Various End Voltages at 25°C(77°F)**

End Voltage		1.85V	1.80V	1.75V	1.70V	1.67V	1.65V	1.60V
Time	min	120	189	228	254	261	269	278
5	min	74.9	118	142	159	163	168	174
10	min	57.3	85.4	101	111	114	117	120
15	min	43.6	51.7	59.8	64.0	64.8	67.1	72.4
30	min	32.5	35.9	37.6	38.9	39.4	40.0	40.6
60	min	19.3	20.7	21.8	22.7	23.0	23.5	24.1
120	min	13.3	14.5	15.6	16.1	16.3	16.6	16.9
180	min	11.3	11.9	12.5	13.1	13.2	13.4	13.6
240	min	10.3	10.7	11.0	11.2	11.3	11.4	11.5
300	min	5.96	6.20	6.38	6.50	6.53	6.58	6.64
600	min	3.03	3.16	3.26	3.32	3.34	3.36	3.39
1200	min							

All data on the spec. sheet is an average value:

The tolerance range : X<6min(+15%~-15%), 6min ≤ X<10min(+12%~-12%), 10min ≤ X < 60min(+8%~-8%), X ≥ 60min(+5%~-5%)

290719-1K